

MetaBright™ High Power Diffuse Tube Light

Model#: MB-DT406



- Patent-pending LED heat management for consistent performance
- Optical grade reflector coating reflects 99.9% of light for optimum diffused output
- High intensity and uniform, non-directional illumination across entire lighting hemisphere for area scan
- Ideal for highly reflective surfaces and textured or topographic objects
- Provides cloudy day illumination, minimizing shadows and glare
- Enclosed workspace blocks interference of ambient light
- Strobe & dimming options

Specifications:

Current Consumption	4.0A @24VDC
Housing	Aluminium
Finish	Powder Coated Black
Intensity Uniformity	+/-5%
Weight	7.5lbs / 3,401g
Operating Temperature	120° F Max
Illuminance	38,000 Lux
Compliance	CE/RoHS
Lifetime Hours	75,000 Hours

Active Area

7 x 27 in
177.8mm x 685.8mm

Dimensions

21.15 in x 28.9 in x 3.875 in
537.21mm x 734.06mm x 98.42mm

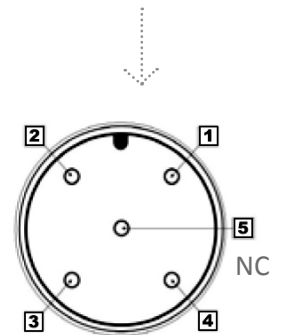
Wiring Diagram

Flying Leads	Function
RED	+24VDC
BLACK	Ground

18 AWG 4 WIRES CABLE X 1
When not using intensity control, connect 0-10V control line to +24 (Max Intensity Control = 25V) and intensity control ground to ground

M12 Connector

PIN #	Function
1	+24VDC
2	0-10VDC Intensity Control
3	Ground
4	Signal Ground

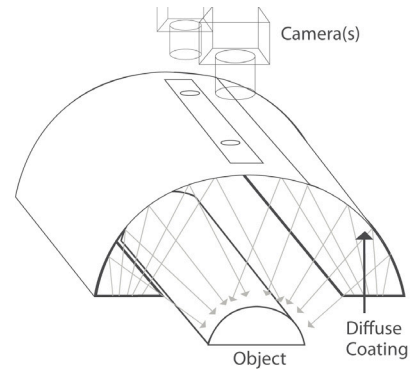


ORDERING INFORMATION:

• MB-DT406	-	□	-	24	-	□
		W	White 6000k			*BLANK
		R	Red 630nm			T
		G	Green 530nm			ILD
		B	Blue 455 nm			ILS
		IRN	Infrared 850nm			LL
						10 ft. Flying Leads
						M12 Quick Disconnect
						In Line Dimmer
						In Line Strobe (customer provide trigger info)
						Long Focal Lens

MetaBright™ High Power Diffuse Tube Light

Model#: MB-DT406

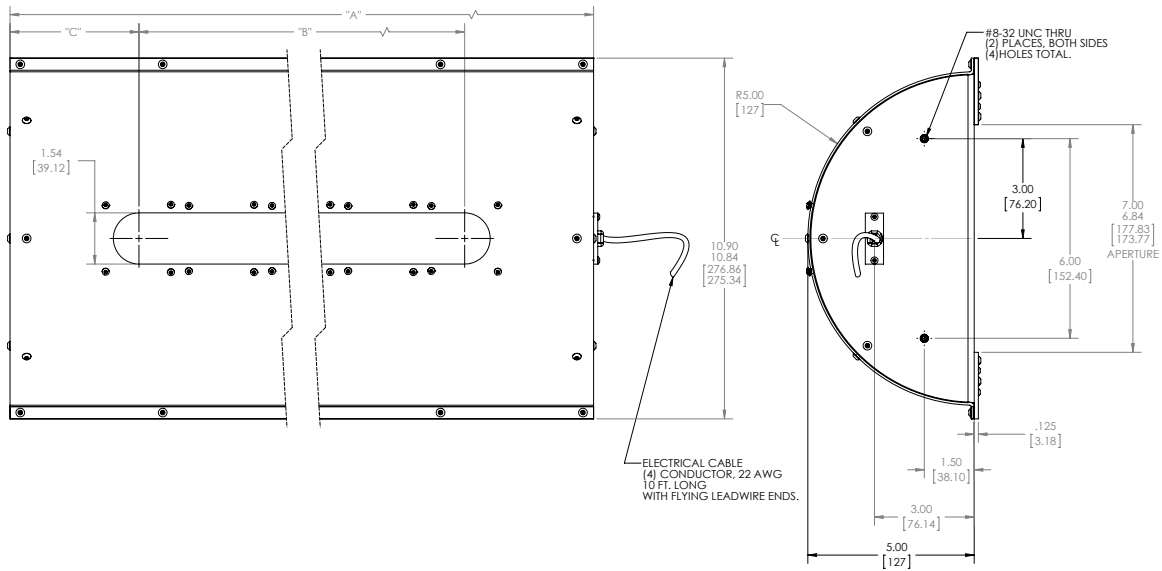


Contact Us:

Contact your Metaphase Technologies Representative for options including: Diffuser Choice, Polarizer & Light Control Film, Specific Intensity & Uniformity, & Wavelength.

Drawing/Diagram

REVISIONS				
ZONE	REV.	DESCRIPTION	DATE	APPROVED
	A	ADJUSTED DIMS FOR DTS06, KW	9/9/2011	



PART NO.	DESCRIPTION	"A" DIM.	"B" DIM.	"C" DIM.
MB-DT506	HIGH POWER DIFFUSED TUBE 7" X 38"	38.50 [978]	33.6 [853]	2.45 [62.2]
MB-DT406	HIGH POWER DIFFUSED TUBE 7" X 27"	28.9 [734]	21.15 [537]	3.875 [98.4]
MB-DT306	HIGH POWER DIFFUSED TUBE 7" X 15"	17.75 [451]	10.00 [254]	3.875 [98.4]

UNLESS OTHERWISE SPECIFIED:		NAME	DATE	METAPHASE TECHNOLOGIES, INC.	
DIMENSIONS ARE IN INCHES	TOLERANCES:	DRAWN	KW	9-7-11	TITLE: DIFFUSED TUBE LIGHT
FRACTIONS		CHECKED			
DECIMALS		ENG APPR.			
THREE PLACE DECIMAL		MFG APPR.			
DIELECTRIC GEOMETRIC TOLERANCING PER:		D.A.		COMMENTS:	
MATERIAL:				SCALE: 1:15 WEIGHT: A	
PROPRIETARY AND CONFIDENTIAL				SHEET 1 OF 1	
THE INFORMATION CONTAINED IN THIS DRAWING IS THE SOLE PROPERTY OF METAPHASE TECHNOLOGIES, INC. REPRODUCTION IN PART OR AS A WHOLE WITHOUT THE WRITTEN PERMISSION OF METAPHASE TECHNOLOGIES, INC. IS PROHIBITED.				REV	
NEXT ASSY	USED ON	FINISH			
APPLICATION	DO NOT SCALE DRAWING				