

LT CL 16

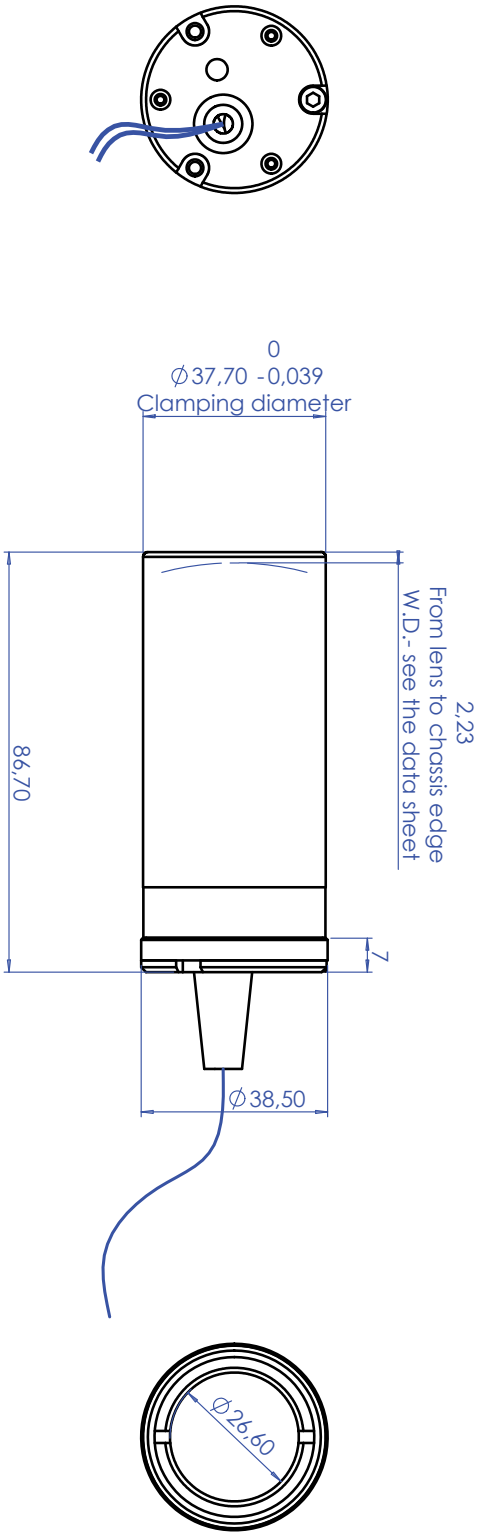
Collimated Illuminator



part number		LT CL 16
Beam Diameter	(mm)	20,0
Available Colours		
/R (red)		x
/G (green)		x
/B (blue)		x
/W (white)		x
/IR890 (IR, peak 890 nm)		x
/IR940 (IR, peak 940 nm)		x
Length	(mm)	86,7
Outer Diameter	(mm)	38,0
Compatible Telecentric Lenses		
	TC 13	n.a.
	TC 12	16
	TC 23	16
	TC 4M	16
	TC 2M	16
	TC16M	n.a.
DEVICE POWER RATINGS		
DC Voltage	(volt)	12 to 24
Power Consumption	(watt)	< 2 watt
LED DIRECT DRIVE RATINGS		
for /W, /B and /G versions		
Max Forward DC Voltage	(volt)	3,5
Max Forward Current	(mA)	350
for /R version		
Max Forward DC Voltage	(volt)	2,5
Max Forward Current	(mA)	350
for /IR890 and /IR940 versions		
Max Forward DC Voltage	(volt)	1,6
Max Forward Current	(mA)	500 mA

Mechanical drawings:
see next page >>

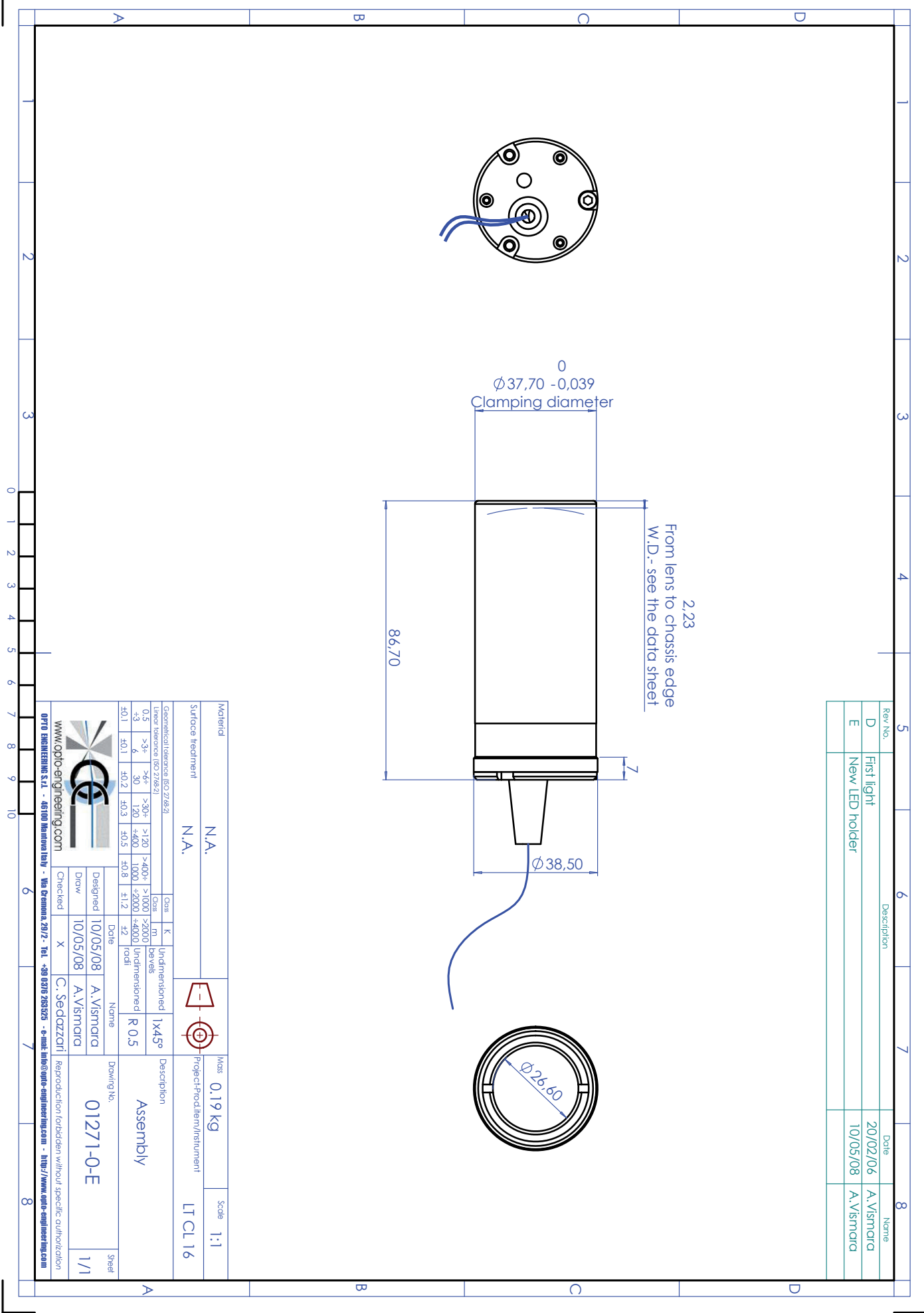
Rev. No.	Description	Date	Name
D	First light	20/02/06	A. Vismara
E	New LED holder	10/05/08	A. Vismara



Material		N.A.		Mass		0.19 kg		Scale		1:1		
Surface treatment		N.A.		Project/Item/Instrument		LT CL 16						
Geometrical tolerance (ISO 2768:2)												
Linear tolerance (ISO 2768:2)	Class	K	Undimensioned	1x45°								
0.5	>3x	>6°	>30°	>120°	>400°	>1000	>2000					
+3	6	30	120	+400	1000	+2000	+4000					
f0.1	f0.1	f0.2	f0.3	f0.5	f0.8	f1.2	f2					
Date		Name		Description								
Designed	10/05/08	A. Vismara		Assembly								
Draw	10/05/08	A. Vismara		01271-0-E								
Checked	X	C. Sedazzari		1/1								



OPTO ENGINEERING S.r.l. - Via Genova, 29/7 - Tel. +39 0376 263525 - e-mail: info@opto-engineering.com - http://www.opto-engineering.com



O-OPEN129-06/2013 · Subject to technical change without notice. No liability is accepted for errors which may be contained in this document.

WWW.STEMMER-IMAGING.COM · IMAGING IS OUR PASSION

GERMANY
AUSTRIA
Phone: +49 89 80902-0
info@stemmer-imaging.de

UNITED KINGDOM
IRELAND
Phone: +44 1252 780000
info@stemmer-imaging.co.uk

FRANCE
Phone: +33 1 45069560
info@stemmer-imaging.fr

SWITZERLAND
LIECHTENSTEIN
Phone: +41 55 415 90 90
info@stemmer-imaging.ch

THE NETHERLANDS
BELGIUM · LUXEMBOURG
Phone: +31 575 495159
info@stemmer-imaging.nl

