

LT CL 24

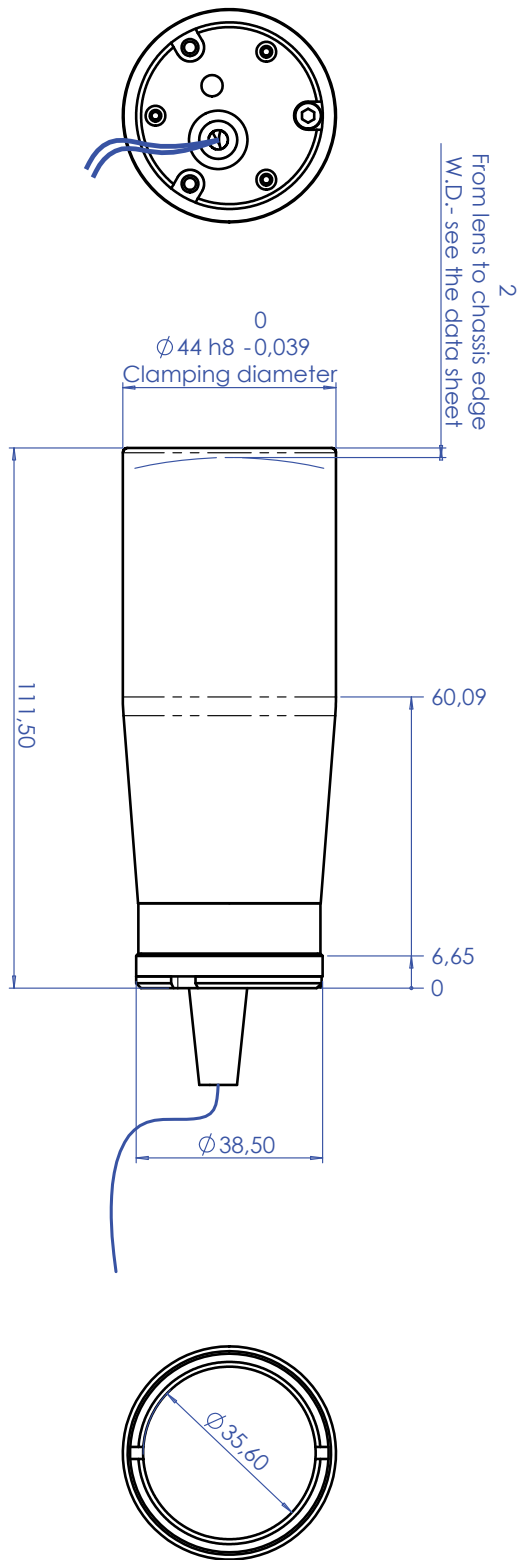
Collimated Illuminator



part number		LT CL 24
Beam Diameter	(mm)	30,0
Available Colours		
/R (red)		x
/G (green)		x
/B (blue)		x
/W (white)		x
/IR890 (IR, peak 890 nm)		x
/IR940 (IR, peak 940 nm)		x
Length	(mm)	115,5
Outer Diameter	(mm)	44,0
Compatible Telecentric Lenses		
	TC 13	n.a.
	TC 12	24
	TC 23	24
	TC 4M	24
	TC 2M	24
	TC16M	n.a.
DEVICE POWER RATINGS		
DC Voltage	(volt)	12 to 24
Power Consumption	(watt)	< 2 watt
LED DIRECT DRIVE RATINGS		
for /W, /B and /G versions		
Max Forward DC Voltage	(volt)	3,5
Max Forward Current	(mA)	350
for /R version		
Max Forward DC Voltage	(volt)	2,5
Max Forward Current	(mA)	350
for /IR890 and /IR940 versions		
Max Forward DC Voltage	(volt)	1,6
Max Forward Current	(mA)	500 mA

Mechanical drawings:
see next page >>

Rev. No.	Description	Date	Name
D	First light	07/06/06	A. Vismara
E	New LED holder	10/05/08	A. Vismara



Material		N.A.		Mass		0,30 kg		Scale		1:1	
Surface treatment		N.A.		Project/Product/Instrument		LT CL 24					
Geometrical tolerance (ISO 2768:2)				Description		Assembly					
Linear tolerance (ISO 2768:2)				Drawing No.		01277-0-E					
0,5	>3x	>6x	>30x	>120	>400x	>1000	>2000				
+3	6	30	120	+400	1000	+2000	+4000				
f0,1	f0,1	f0,2	f0,3	f0,5	f0,8	f1,2	f2				
Class		K		Undimensioned		1x45°					
Cass		m		Bevels		R 0,5					
Date		42		Undimensioned							
Designed		10/05/08		Name		A. Vismara					
Draw		10/05/08		Name		A. Vismara					
Checked		X		Name		C. Seccozzi					



www.opto-engineering.com
 OPTO ENGINEERING S.r.l. - 46100 Montecchiavari - Via Demiana, 29/2 - Tel. +39 0510 269325 - e-mail: info@opto-engineering.com - http://www.opto-engineering.com