

LT CL 48

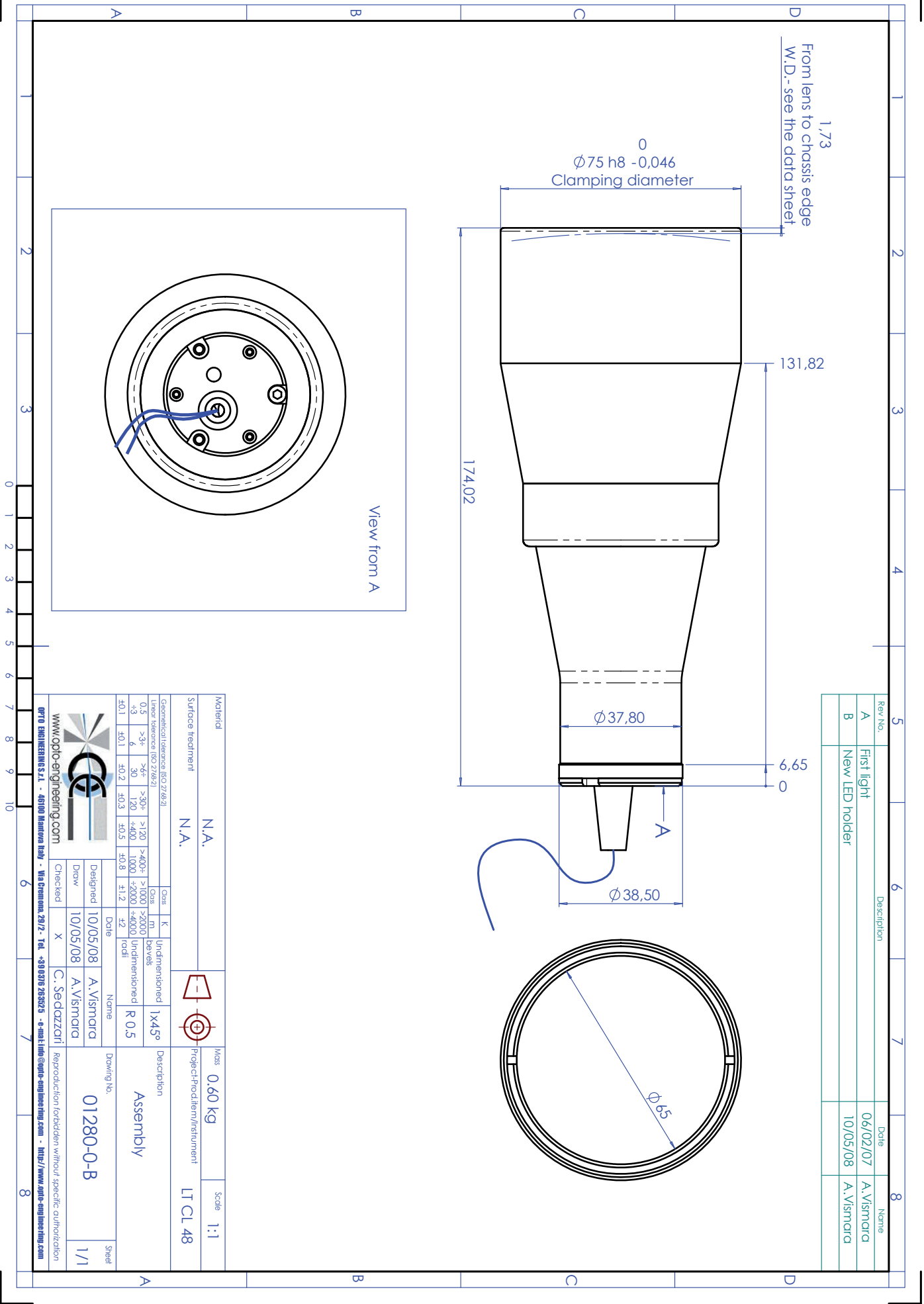
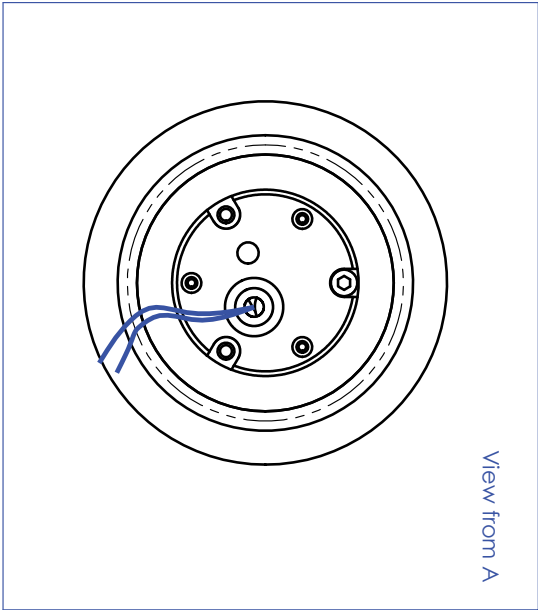
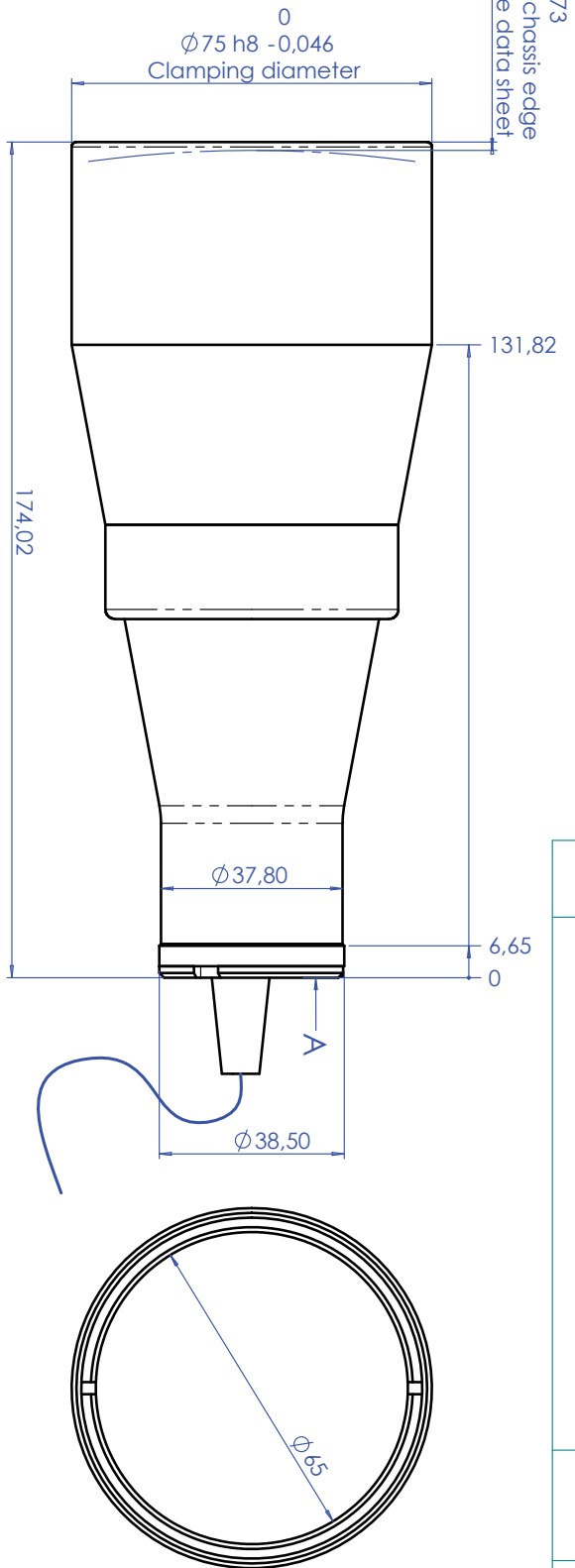
Collimated Illuminator



part number	LT CL 48/X	
Beam Diameter	(mm)	60,0
Available Colours		
/R (red)		x
/G (green)		x
/B (blue)		x
/W (white)		x
/IR890 (IR, peak 890 nm)		x
/IR940 (IR, peak 940 nm)		x
Length	(mm)	174,0
Outer Diameter	(mm)	75,0
Compatible Telecentric Lenses		
	TC 13	n.a.
	TC 12	48
	TC 23	48
	TC 4M	48
	TC 2M	48
	TC16M	48
DEVICE POWER RATINGS		
DC Voltage	(volt)	12 to 24
Power Consumption	(watt)	< 2 watt
LED DIRECT DRIVE RATINGS		
for /W, /B and /G versions		
Max Forward DC Voltage	(volt)	3,5
Max Forward Current	(mA)	350
for /R version		
Max Forward DC Voltage	(volt)	2,5
Max Forward Current	(mA)	350
for /IR890 and /IR940 versions		
Max Forward DC Voltage	(volt)	1,6
Max Forward Current	(mA)	500 mA

Mechanical drawings:
see next page >>

Rev. No.	Description	Date	Name
A	First light	06/02/07	A. Vismara
B	New LED holder	10/05/08	A. Vismara



Material		N.A.		Mass		0,60 kg		Scale		1:1	
Surface treatment		N.A.		Project/Product/Instrument		LT CL 48					
Geometrical tolerance (ISO 2768:2)											
Linear tolerance (ISO 2768:2)											
0,5	>3x	>6x	>30x	>120	>400x	>1000	>2000	Class	K	Undimensioned	1x45°
+3	6	30	120	+400	1000	+2000	+4000	Class	M	Bevels	
f0,1	f0,1	f0,2	f0,3	f0,5	f0,8	f1,2	f2	Class	L	Undimensioned	R 0,5
Date											
Designed		10/05/08		A. Vismara		Date		10/05/08		A. Vismara	
Drawn		10/05/08		A. Vismara		Checked		X		C. Sedazzari	
www.opto-engineering.com											
OPTO ENGINEERING S.r.l. - 48100 Roncole Italy - Via Fontana, 29/2 - Tel. +39 051 263825 - e-mail info@opto-engineering.com - http://www.opto-engineering.com											
Reproduction forbidden without specific authorization											
Drawing No. 01280-0-B											
Sheet 1/1											