

## LT CL 64

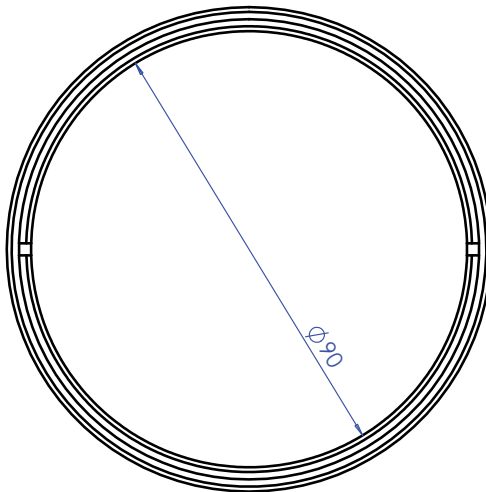
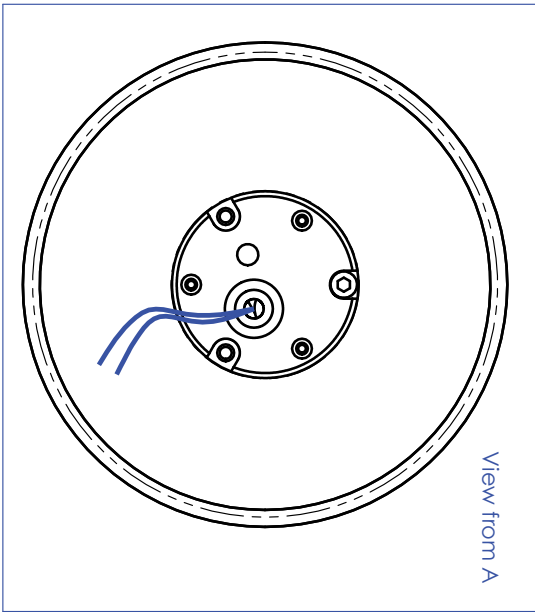
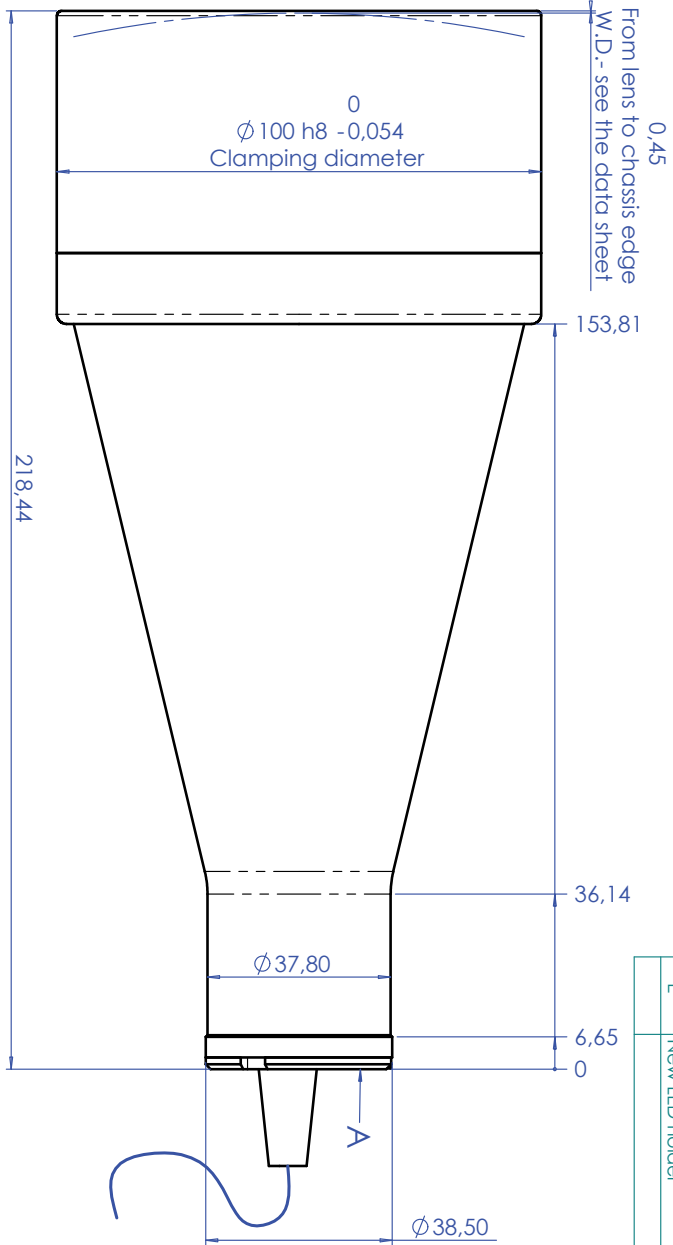
# Collimated Illuminator



part number	LT CL 64/X	
<b>Beam Diameter</b>	(mm)	80,0
<b>Available Colours</b>		
/R (red)		x
/G (green)		x
/B (blue)		x
/W (white)		x
/IR890 (IR, peak 890 nm)		x
/IR940 (IR, peak 940 nm)		x
<b>Length</b>	(mm)	218,4
<b>Outer Diameter</b>	(mm)	100,0
<b>Compatible Telecentric Lenses</b>		
	TC 13	64
	TC 12	64
	TC 23	64
	TC 4M	64
	TC 2M	64
	TC16M	64
<b>DEVICE POWER RATINGS</b>		
DC Voltage	(volt)	12 to 24
Power Consumption	(watt)	< 2 watt
<b>LED DIRECT DRIVE RATINGS</b>		
<b>for /W, /B and /G versions</b>		
Max Forward DC Voltage	(volt)	3,5
Max Forward Current	(mA)	350
<b>for /R version</b>		
Max Forward DC Voltage	(volt)	2,5
Max Forward Current	(mA)	350
<b>for /IR890 and /IR940 versions</b>		
Max Forward DC Voltage	(volt)	1,6
Max Forward Current	(mA)	500 mA

Mechanical drawings:  
see next page >>

Rev. No.	Description	Date	Name
D	First light	23/03/06	A. Vismora
E	New LED holder	10/05/08	A. Vismora



Material		N.A.		Mass		0,94 kg		Scale		1:1	
Surface treatment		N.A.		Project/Product/Instrument		LT CL 64					
Geometrical tolerance (ISO 2768:2)											
Linear tolerance (ISO 2768:2)	>3x	>6x	>30x	>120	>400x	>1000	>2000	Undimensioned	1x45°	Description	
0,5	>3x	>6x	>30x	>120	>400x	>1000	>2000	Undimensioned	1x45°	Assembly	
+3	6	30	120	+400	1000	+2000	+4000	Undimensioned	R 0,5	Drawing No.	
f0,1	f0,1	f0,2	f0,3	f0,5	f0,8	f1,2	f2	Undimensioned	R 0,5	01275-0-E	
www.opto-engineering.com											
OPTO ENGINEERING S.r.l. - 46100 Montebelluna (TV) - Via G. Ferraris, 29/2 - Tel. +39 0430 208325 - e-mail: info@opto-engineering.com - http://www.opto-engineering.com											
Designed 10/05/08 A. Vismora											
Draw 10/05/08 A. Vismora											
Checked X C. Sedazzari											
Date 10/05/08											
Name A. Vismora											
Drawing No. 01275-0-E											
Sheet 1/1											
Reproduction forbidden without specific authorization											