

**LT CL 80**

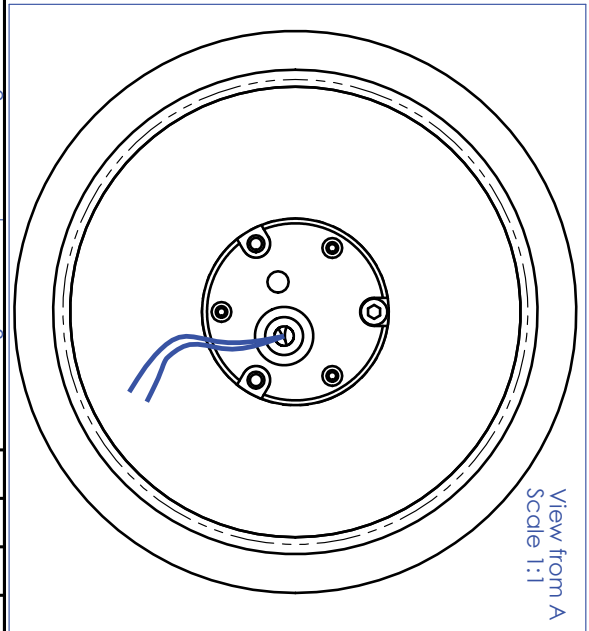
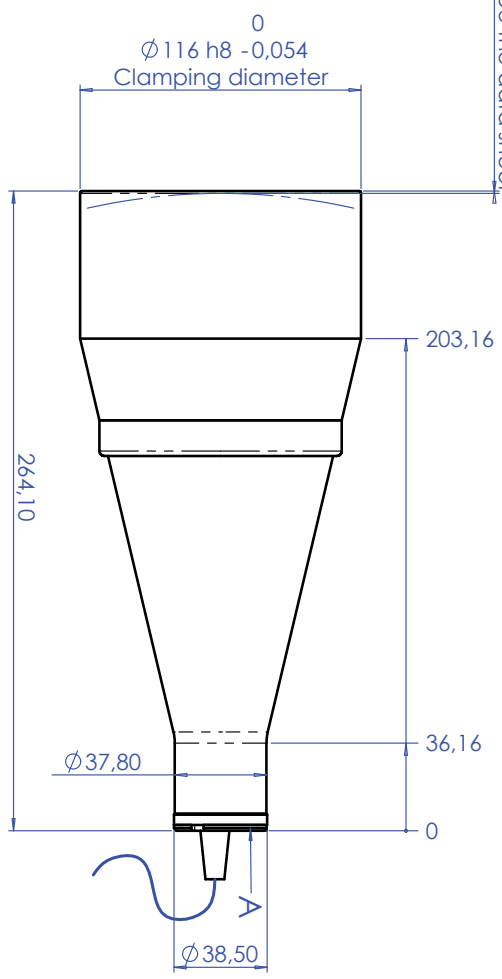
# Collimated Illuminator



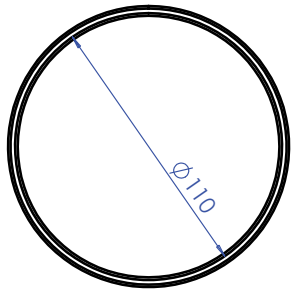
part number		LT CL 80/X
<b>Beam Diameter</b>	(mm)	100,0
<b>Available Colours</b>		
/R (red)		x
/G (green)		x
/B (blue)		x
/W (white)		x
/IR890 (IR, peak 890 nm)		x
/IR940 (IR, peak 940 nm)		x
<b>Length</b>	(mm)	264,2
<b>Outer Diameter</b>	(mm)	116,0
<b>Compatible Telecentric Lenses</b>		
	TC 13	n.a.
	TC 12	80
	TC 23	72, 80
	TC 4M	72, 80
	TC 2M	80
	TC16M	80
<b>DEVICE POWER RATINGS</b>		
DC Voltage	(volt)	12 to 24
Power Consumption	(watt)	< 2 watt
<b>LED DIRECT DRIVE RATINGS</b>		
<b>for /W, /B and /G versions</b>		
Max Forward DC Voltage	(volt)	3,5
Max Forward Current	(mA)	350
<b>for /R version</b>		
Max Forward DC Voltage	(volt)	2,5
Max Forward Current	(mA)	350
<b>for /IR890 and /IR940 versions</b>		
Max Forward DC Voltage	(volt)	1,6
Max Forward Current	(mA)	500 mA

Mechanical drawings:  
see next page >>

From lens to chassis edge  
W.D. - see the data sheet



Rev.No.	Description	Date	Name
D	First light	10/05/06	A.Vismora
E	New LED holder	10/05/08	A.Vismora



Material		N.A.		Mass		1,40 kg		Scale		1:2	
Surface treatment		N.A.		Project/Product/Instrument		LT CL 80					
Geometrical tolerance (ISO 2768:2)		Class	K	Undimensioned		1x45°					
Linear tolerance (ISO 2768:2)		Class	m	Undimensioned		R 0,5					
0,5	>3-	>6-	>30+	>120	>400+	>1000	>2000				
+3	6	30	120	+400	1000	+2000	+4000				
f0,1	f0,1	f0,2	f0,3	f0,5	f0,8	f1,2	f2				
Date		Name		Description		Drawing No.					
10/05/08		A.Vismora		Assembly		01276-0-E					
10/05/08		A.Vismora									
Checked		X									
www.opto-engineering.com		C. Sedazzari									
OPTO ENGINEERING S.r.l. - 46100 Montone Italy - Via Gemina, 20/2 - Tel. +39 0576 263526 - e-mail: info@opto-engineering.com - http://www.opto-engineering.com											

O-OPEN136-06/2013 · Subject to technical change without notice. No liability is accepted for errors which may be contained in this document.

WWW.STEMMER-IMAGING.COM · IMAGING IS OUR PASSION

<p><b>GERMANY</b> AUSTRIA Phone: +49 89 80902-0 info@stemmer-imaging.de</p>	<p><b>UNITED KINGDOM</b> IRELAND Phone: +44 1252 780000 info@stemmer-imaging.co.uk</p>	<p><b>FRANCE</b> Phone: +33 1 45069560 info@stemmer-imaging.fr</p>	<p><b>SWITZERLAND</b> LIECHTENSTEIN Phone: +41 55 415 90 90 info@stemmer-imaging.ch</p>	<p><b>THE NETHERLANDS</b> BELGIUM · LUXEMBOURG Phone: +31 575 495159 info@stemmer-imaging.nl</p>	
---	--	--	---	--	--