

Bi-telecentric lenses | **TC Clamping mechanics**

CMHO 12K 064

Opto-mechanical solution for bi-telecentric lenses

Specifications

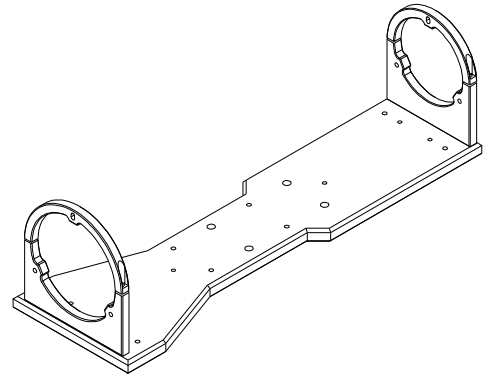
Part number CMHO 12K 064

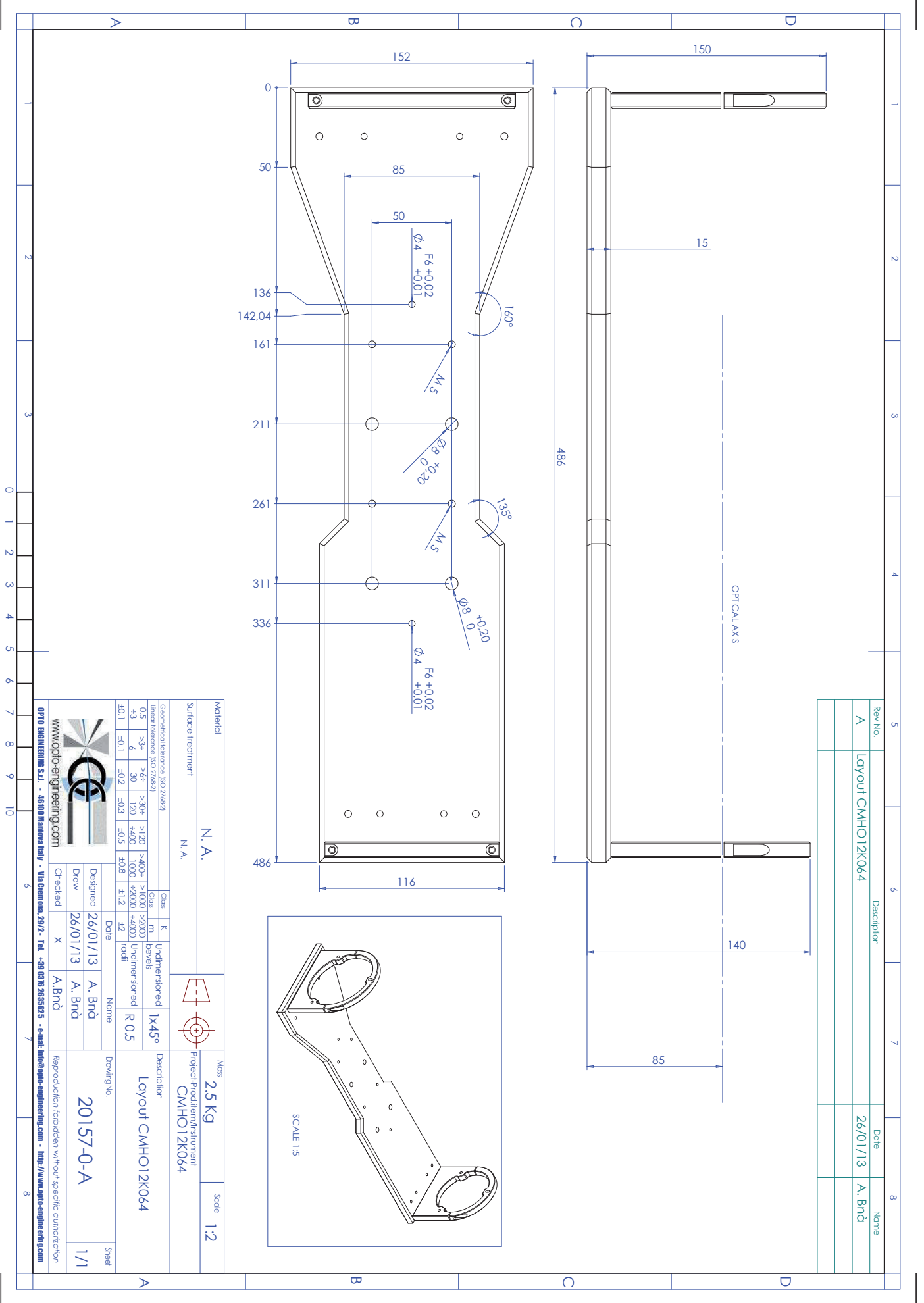
Compatible optics

TC12K 064

Mechanical specifications

Length	mm	486
Width	mm	152
Height	mm	150
Optical axis height	mm	85
Weight	g	2500





Rev.No.	Description	Date	Name
A	Layout CMH012K064	26/01/13	A. Bnd

Material	N.A.		Mass	2.5 Kg	Scale	1:2
Surface treatment	N.A.		Project/Product/Instrument	CMH012K064		

Geometrical tolerance (ISO 2768-2)	Class	K	Undimensional	1x45°	Description
Linear tolerance (ISO 2768-2)	Class	M	Bevels	R 0.5	Layout CMH012K064
	Class	L	Undimensional		

Linear tolerance (ISO 2768-2)	Class	M	Undimensional	1x45°	Description
	Class	L	Undimensional		

Linear tolerance (ISO 2768-2)	Class	M	Undimensional	1x45°	Description
	Class	L	Undimensional		

Linear tolerance (ISO 2768-2)	Class	M	Undimensional	1x45°	Description
	Class	L	Undimensional		