



TC 16M 120

0,29x Telecentric Lens for 35mm-type and line Detectors (43 mm diagonal)



part number		TC 16M 120
Magnification		0,289 +/- 3%
Field Of View	(mm)	
with 36 x 24 mm detector		124,9 x 83,3
with 8k x 5 µm detector		141,9
with 4k x 7 µm detector		99,3
with 2k x 10 µm detector		70,9
Working Distance	(mm)	333,0 +/- 10
Working F-number		16
Telecentricity typical (max)	(degree)	< 0,05 (0,08)
Distortion typical (max)	(%)	< 0,05 (0,10)
Field Depth	(mm)	15,0
CTF @50 lp/mm	(%)	> 40
Image side N.A.		0,031
Object side N.A.		0,009
Mount		F
Length	(mm)	538,0
External diameter	(mm)	180,0
Weight	(g)	5200

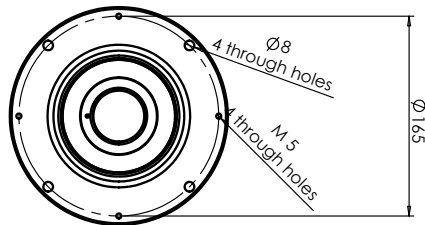
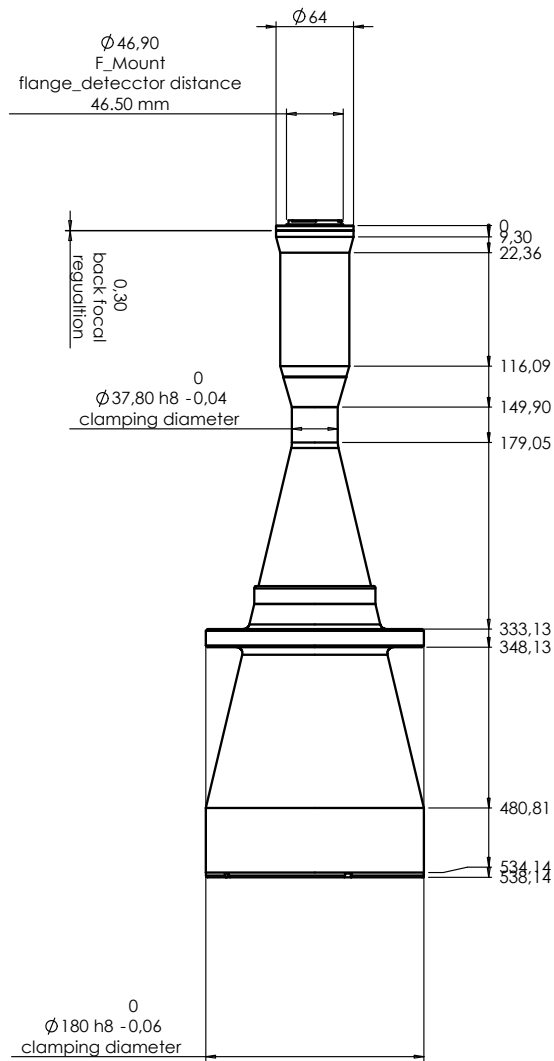
ACCESSORIES AND OPTIONS:



Collimated/Telecentric illumination:

Compatible with LTCL120 illuminator;
green light suggested.

Mechanical drawings:
see next page >>



Rev.No.	Description	Date	Name
A		27/01/10	

Material		Mass		Scale	
Surface treatment		5200 gr.		1:4	
Geometrical tolerance (ISO 2768-2)		Project/ProdItem/Instrument		TC16M120	
Linear tolerance (ISO 2768-2)		Description		TC16M120 Layout	
0.5	>3x	>6x	>120	>400x	>1000
+3	6	30	120	+400	1000
f0.1	f0.1	f0.2	f0.3	f0.5	f0.8
Class		K		Undimensioned	
m		m		Bevels	
1:2		1:2		Undimensioned	
1:2		1:2		Total	
R 0.5		R 0.5			
Date		Name		Drawing No.	
27/01/10		19361-0-A		Sheet	
27/01/10		X		1/1	



www.opto-engineering.com
 OPTO ENGINEERING S.r.l. - 46100 Madonna Lupa - Via Gemina 20/2 - Tel. +39 0576 282565 - e-mail: info@opto-engineering.com - http://www.opto-engineering.com