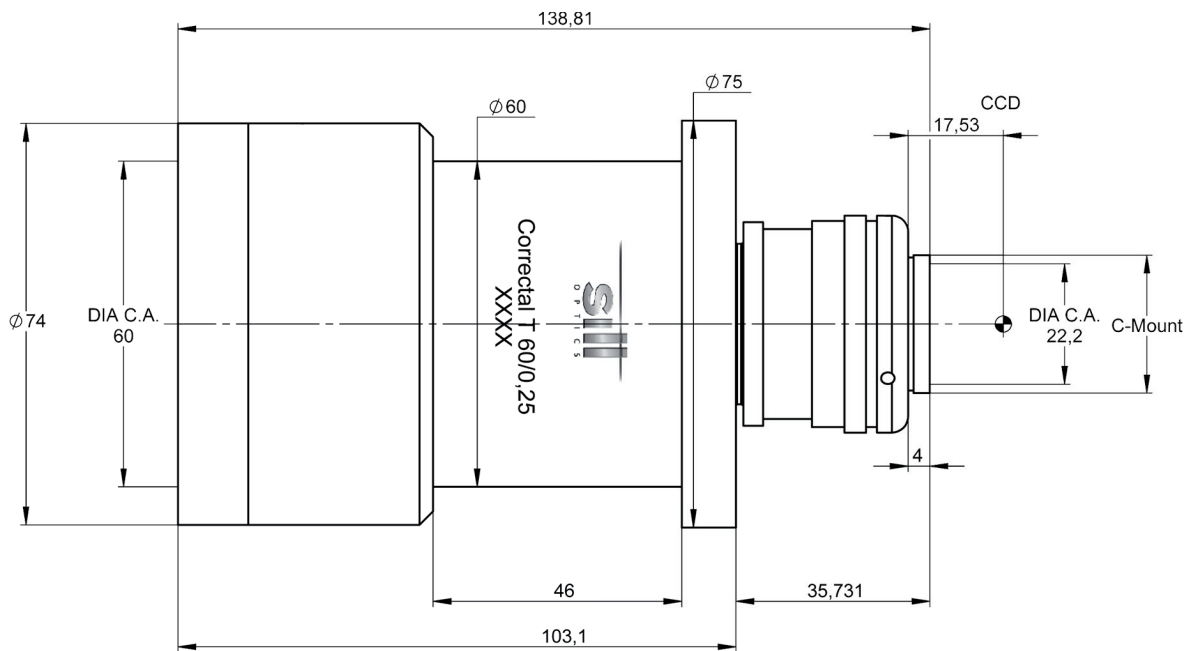


DATA SHEET

S5LPJ2299

Correctal® T60/0.24
telecentric lens
with c-mount



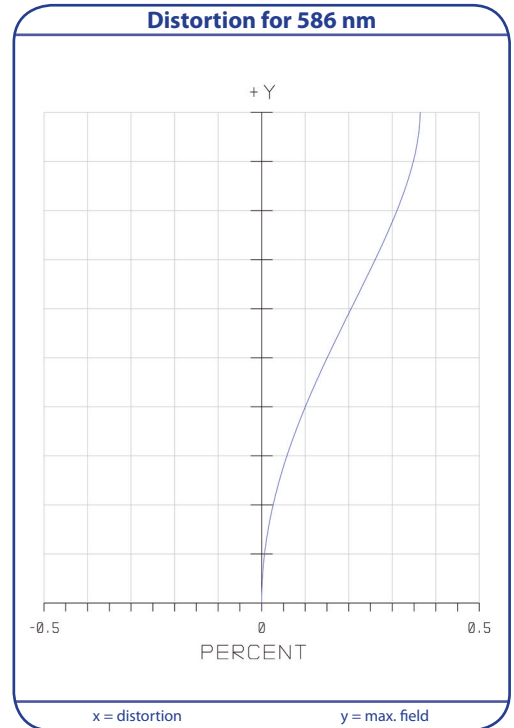
outline drawing

other adapter on special request

S5LPJ2299

Correctal® T60/0.24 telecentric lens with c-mount

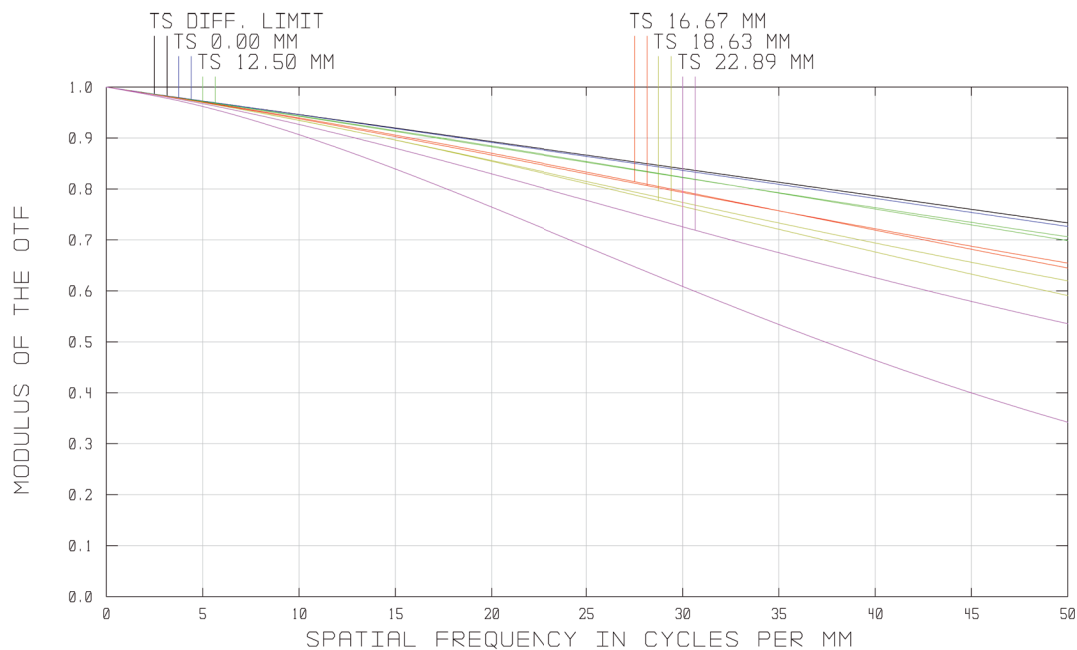
Specifications	
part number	S5LPJ2299
magnification (+/-5%)	0.245
working distance [mm] (+/-2%)	92.0
max. object size [mm] at a chip size of [mm] distorsion [%]	19.5 x 14.6 4.8 x 3.6 (1/3") 0.2
max. object size [mm] at a chip size of [mm] distorsion [%]	26.1 x 19.5 6.4 x 4.8 (1/2") 0.3
max. object size [mm] at a chip size of [mm] distorsion [%]	29.3 x 21.6 7.2 x 5.3 (1/1.8") 0.4
max. object size [mm] at a chip size of [mm] distorsion [%]	35.9 x 26.9 8.8 x 6.6 (2/3") 0.5
numerical aperture	0.017
max. outside-Ø [mm]	70.0 / 75.0
length [mm] (+/-2%)	135.8
weight [kg]	0.6



T.. Tangential

MTF for various object heights at 586nm

S.. Sagittal



also available with coaxial illumination (S5LPL2299) and coaxial LED illumination (S5LPL2299/LED)