

Figure 1: Variable LED Dimmer

Sill Optics presents a variable LED dimmer for use with condensers, lenses with coaxial surface illumination and other LEDs. A power pack for every socket outlet guarantees a worldwide usability of the power supply.

Specifications	
ARTICLE #	S6MEC2323
Dimensions [mm]	80x65x55
Input Power [V]	100 - 240
Input Frequency [HZ]	50 - 60
Current Limiting [mA]	50 - 450
dimnable Current Consumption [%]	10 - 100

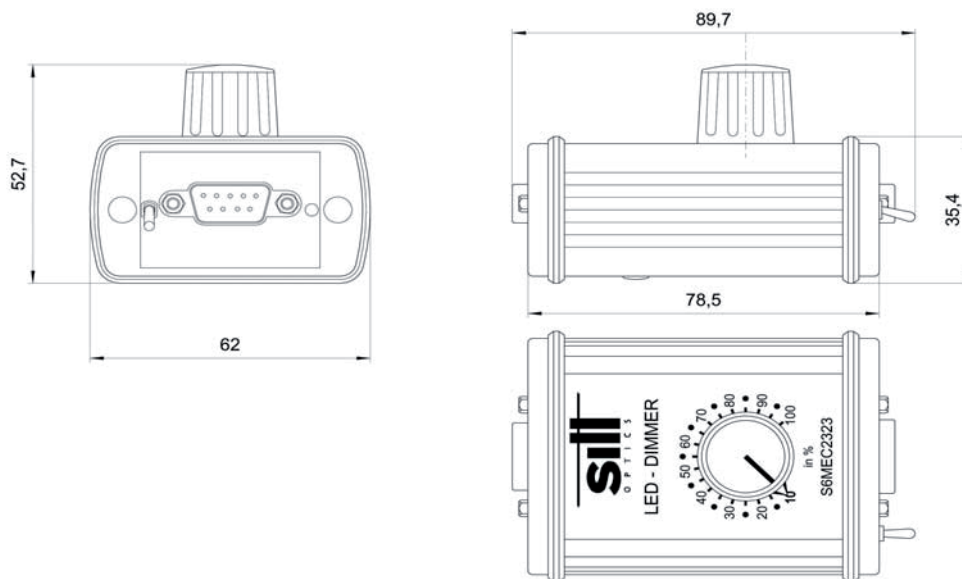


Figure 2: outline drawing