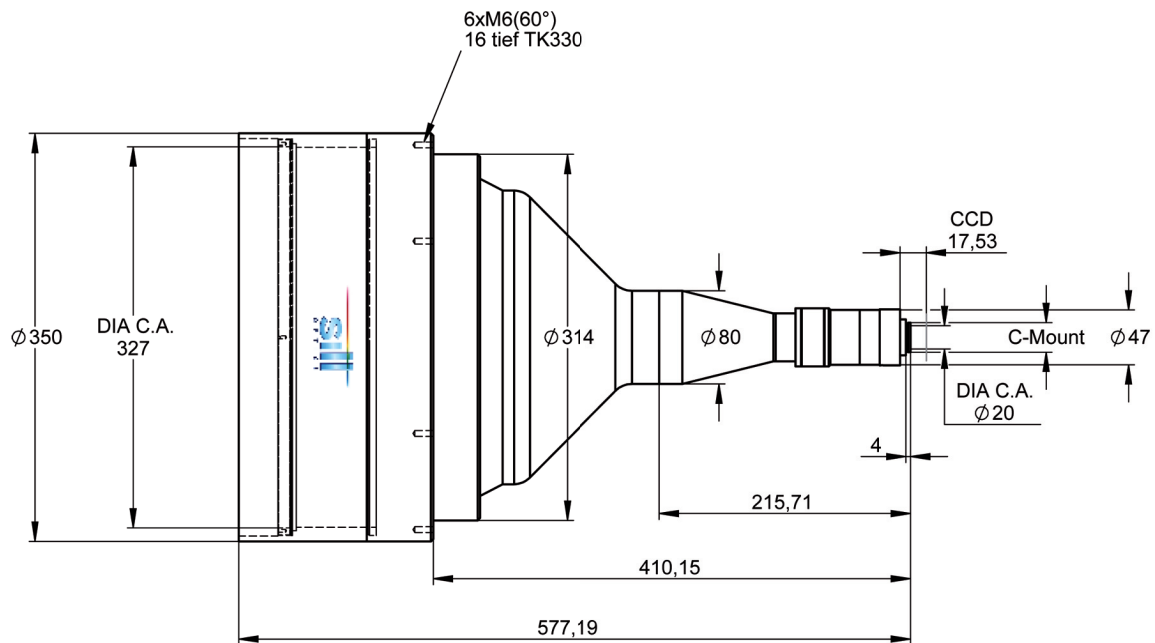


## DATA SHEET

### S5LPJ7320

**SillVision XT300/0.05**  
**double-sided telecentric**  
**lens with c-mount**

no picture available



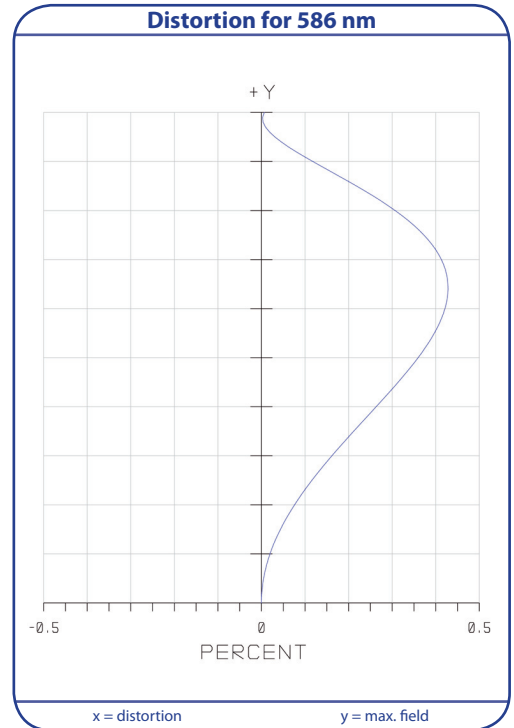
outline drawing

other adapter on special request

## S5LPJ7320

### SillVision XT300/0.05 double-sided telecentric lens with c-mount

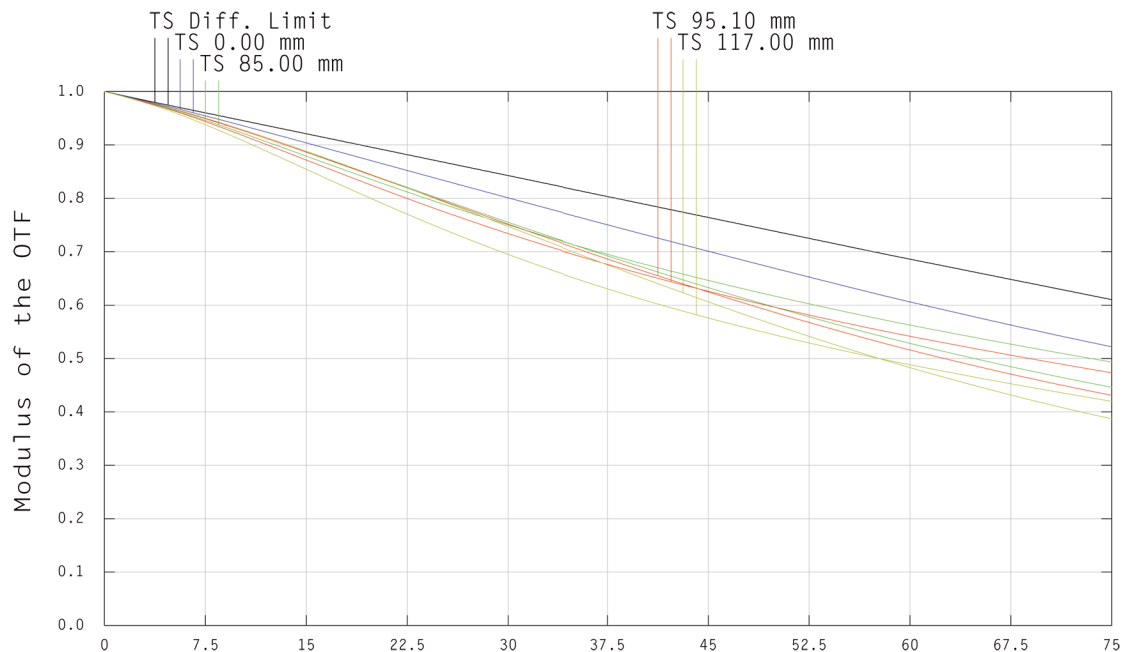
Specifications	
part number	S5LPJ7320
magnification (+/-5%)	0.047
working distance [mm] (+/-2%)	408.8
max. object size [mm] at a chip size of [mm] distorsion [%]	102.1 x 76.5 4.8 x 3.6 (1/3") 0.4
max. object size [mm] at a chip size of [mm] distorsion [%]	136.1 x 102.1 6.4 x 4.8 (1/2") 0.45
max. object size [mm] at a chip size of [mm] distorsion [%]	153.1 x 112.7 7.2 x 5.3 (1/1.8") 0.45
max. object size [mm] at a chip size of [mm] distorsion [%]	187.2 x 140.4 8.8 x 6.6 (2/3") 0.45
numerical aperture	0.0034
max. outside-Ø [mm]	350.0
length [mm] (+/-2%)	573.2
weight [kg]	not yet weighed



T.. Tangential

### MTF for various object heights at 586nm

S.. Sagittal



also available with M42-thread  
graphs given by design